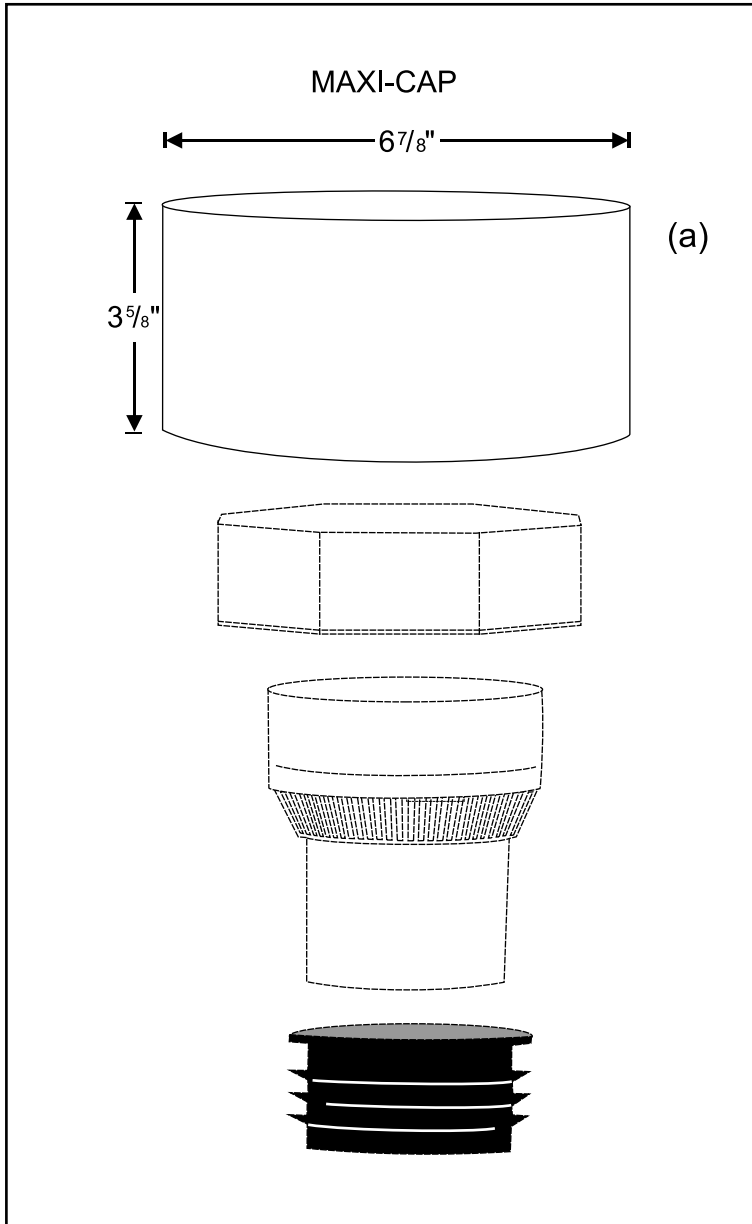
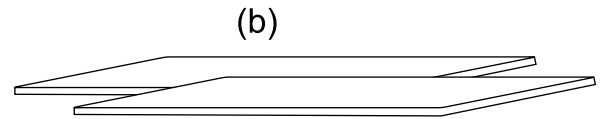


Specification Sheet MAXI-CAP



Manufacturer: Studor[®], Inc.
Item #: 20398



General Outside Use:

The MAXI-CAP can be installed on MAXI-VENTS[®] in outdoor installations to protect MAXI-VENTS[®] from damaging UV Rays and extreme temperatures.

Installation:

Fits over the MAXI-VENT[®] and styrofoam cover.

- Attach styrofoam to cap of valve with double sided adhesive
- Attach metal cap to styrofoam with double-sided adhesive

Ensure that one open vent pipe is maintained.

If desired, paint cap prior to installation.

Materials:

(a) Spun Aluminum Cup

(b) 2 pieces double-sided adhesive